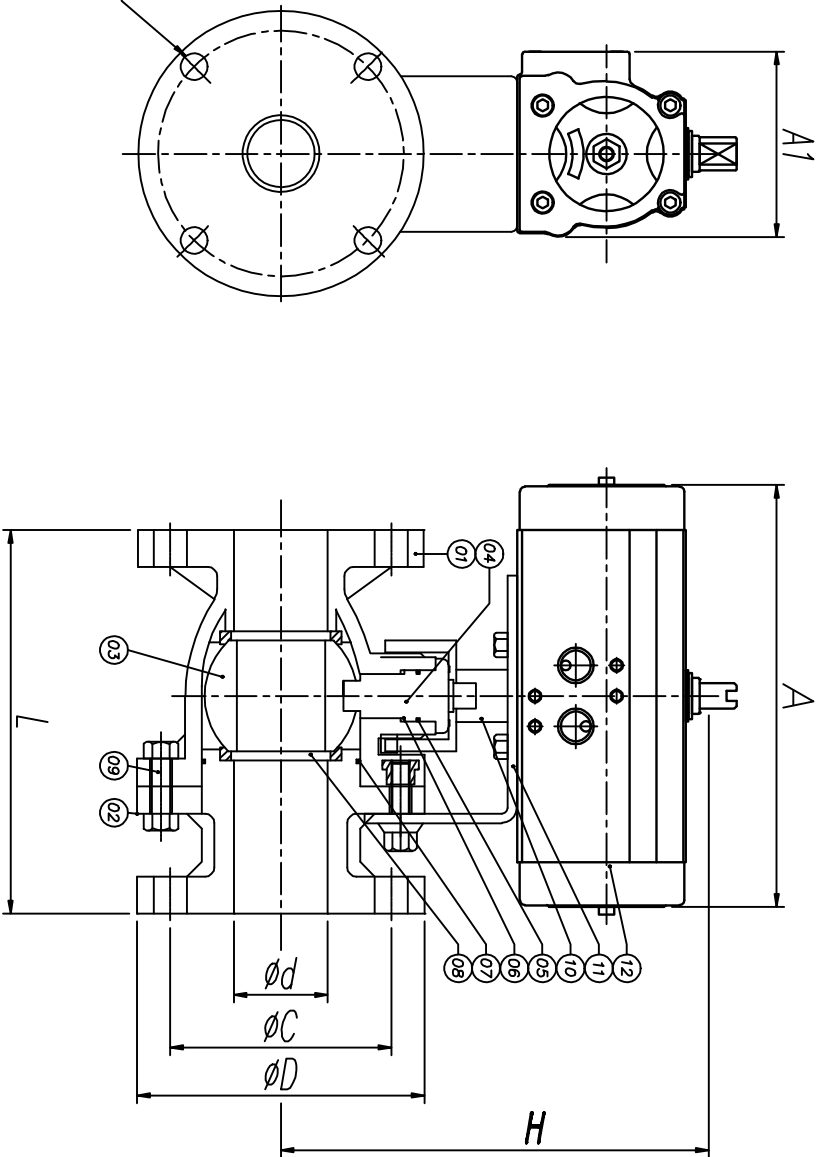
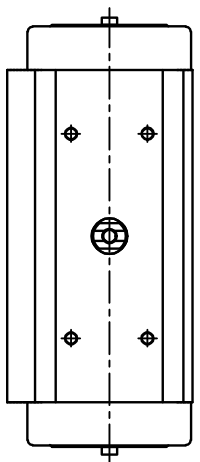


11-1

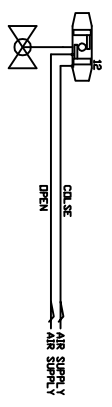
FOR APPROVAL



JIS 10K FF(mm)

MODEL	QTY	ACTUATOR		H (APPROX.)	L±1.6	END CONNECTION				MINI WALL THICKNESS (APPROX.)	WEIGHT (APPROX.)
		A	A1			d	c	D	N-H		
TD65-50F	-	204	83	223	210	50	120	155	4-19	-	-
TD65-40F	-	204	83	217	190	40	105	140	4-19	-	-
TD50-32F	-	162	73	199	175	32	100	135	4-19	-	-
TD50-25F	-	162	73	186	170	25	90	125	4-19	-	-
TD50-20F	-	162	73	173	150	20	75	100	4-15	-	-
TD50-15F	-	162	73	166	145	15	70	95	4-15	-	-

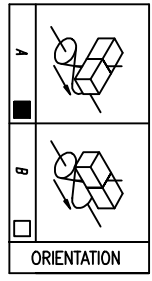
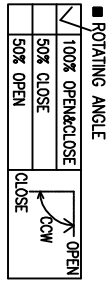
INSTALLATION SCHEMATIC



12. PNEUMATIC ACTUATOR

NO.	PART NAME	QTY	MATERIAL	REMARK
1	BODY	1	P.P	
2	BONNET	1	P.P	
3	BALL	1	P.P	
4	STEM	1	P.P	
5	STEM O-RING	1	P.P	
6	STEM RING	1	PTFE	
7	BODY CAP O-RING	1	EPDM	
8	NIP SEAL	1	PTFE	
9	STUD BOLT	1	SS41	
10	JOINT	1	SS304	
11	BRACKET	1	S304	
12	ACTUATOR	1	TD	KOREAWV
13				
14				
15				

TAG NO.



Rev.	Date	Description	Pre-d	Che-d	App-d

Designed by: _____ Checked by: _____ Approved by: _____

CL, KM

FLANGE BALL VALVE (P.P)

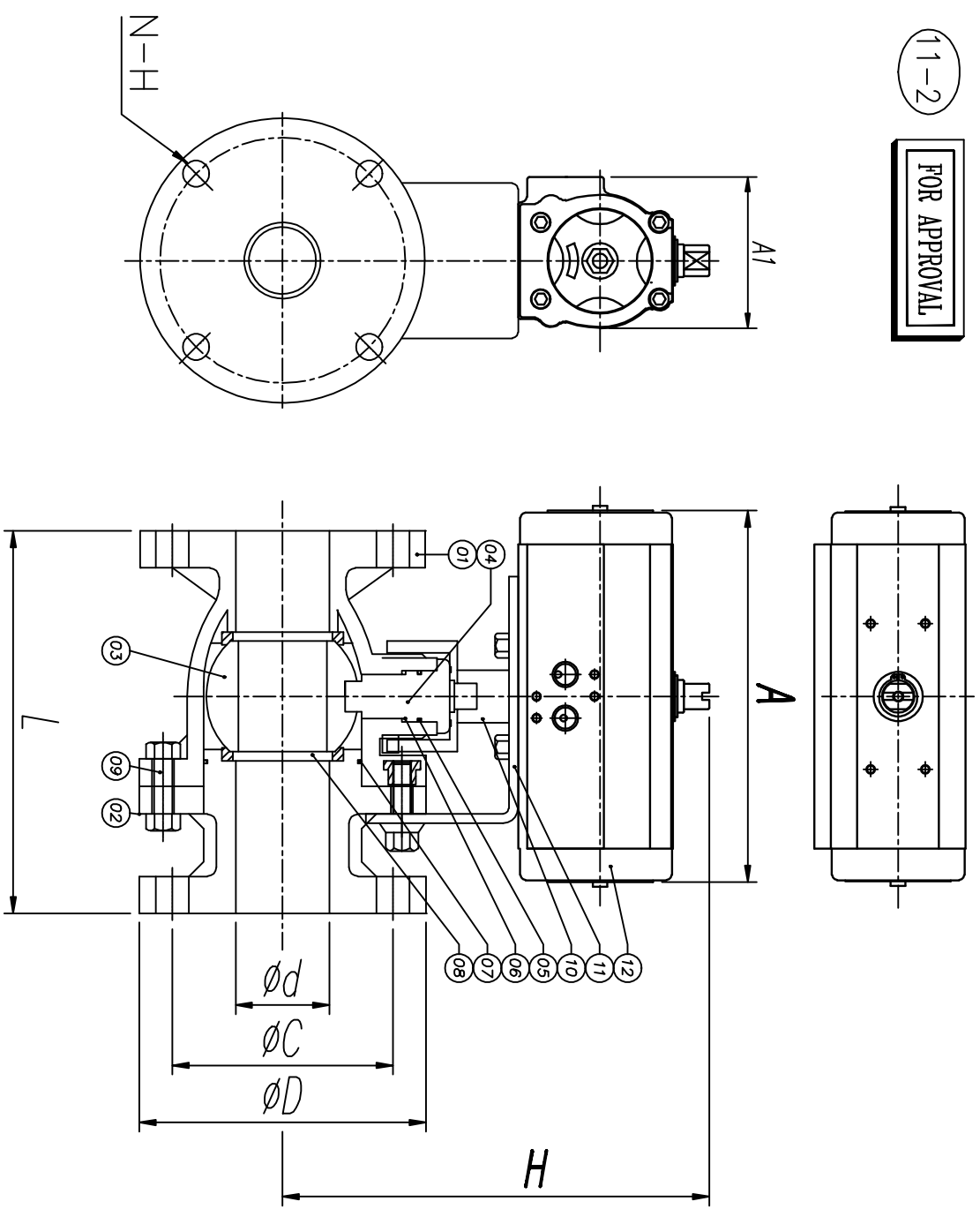
DOUBLE ACTION ACTUATOR

Model	DOUBLE ACTION ACTUATOR		
Drawing no.	A110214-01-11	Size	A4
Scale	N:S	Unit	mm



11-2

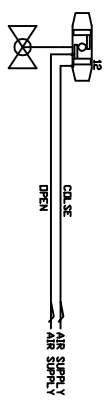
FOR APPROVAL



■ DIMANSION

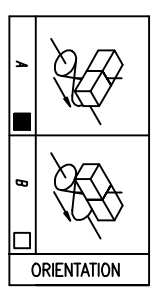
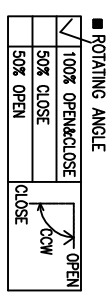
MODEL	QTY	ACTUATOR	A	A1	H	L±1.6	END CONNECTION				(MIN) WALL THICKNESS	WEIGHT (APPROX.)
												JS 10K Ff(om)
TD125-150F	-	414	136	440	360	150	240	280	8-23	-	-	
TD100-125F	-	296	118	404	360	125	210	250	8-23	-	-	
TD80-100F	-	246	99	327	300	100	175	210	8-19	-	-	
TD80-80F	-	246	99	288	265	80	150	185	8-19	-	-	
TD65-65F	-	204	83	262	260	65	140	175	4-19	-	-	

■ INSTALLATION SCHEMATIC



NO.	PART NAME	QTY	MATERIAL	REMARK
1	BODY	1	P.P	
2	BONNET	1	P.P	
3	BALL	1	P.P	
4	STEM	1	P.P	
5	STEM O-RING	1	P.P	
6	STEM RING	1	PTFE	
7	BODY CAP O-RING	1	EPDM	
8	NIP SEAL	1	PTFE	
9	STUD BOLT	1	SS41	
10	JOINT	1	SS04	
11	BRACKET	1	S304	
12	ACTUATOR	1	TD	KOREAWV
13				
14				
15				

TAG NO.



Rev.	Date	Description	Pre.d	Che.d	App.d

Designed by _____ Checked by _____ Approved by _____

CL, KM

Title
FLANGE BALL VALVE (P.P)

Model
DOUBLE ACTION ACTUATOR

Drawing no.	Size	Scale	Unit
A110214-01-11	A4	N:S	mm

